

Figure 7.1 Tile Dimensions

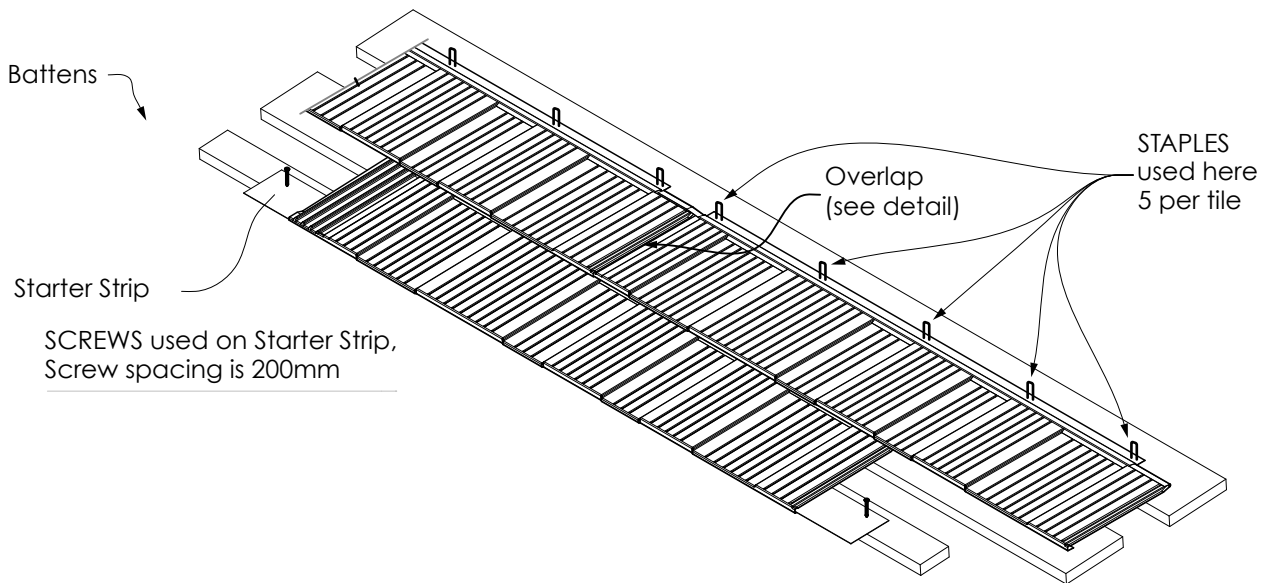


Figure 7.2 Fastening Detail

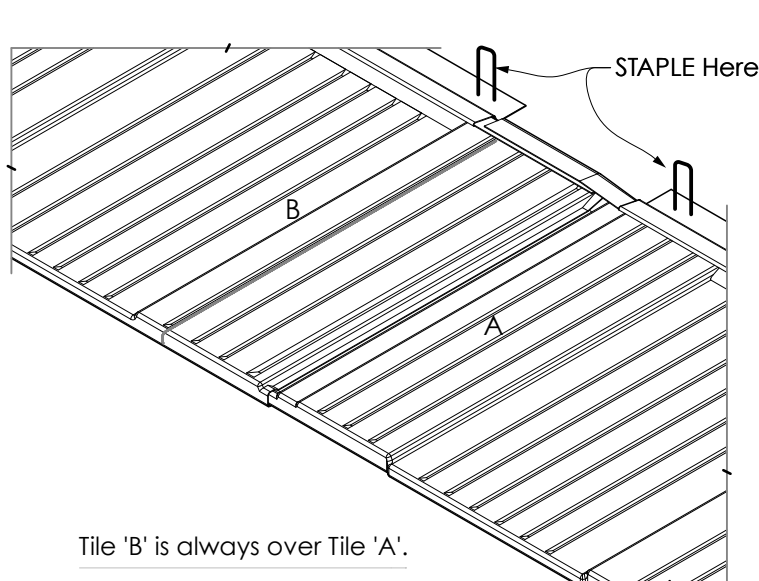


Figure 7.3 Overlap Detail

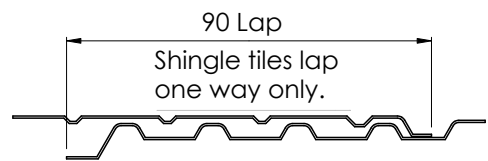


Figure 7.4 Lap Section

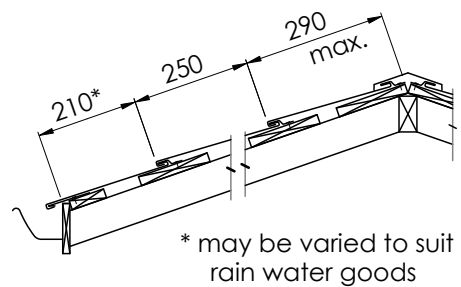


Figure 7.5 Batten Layout